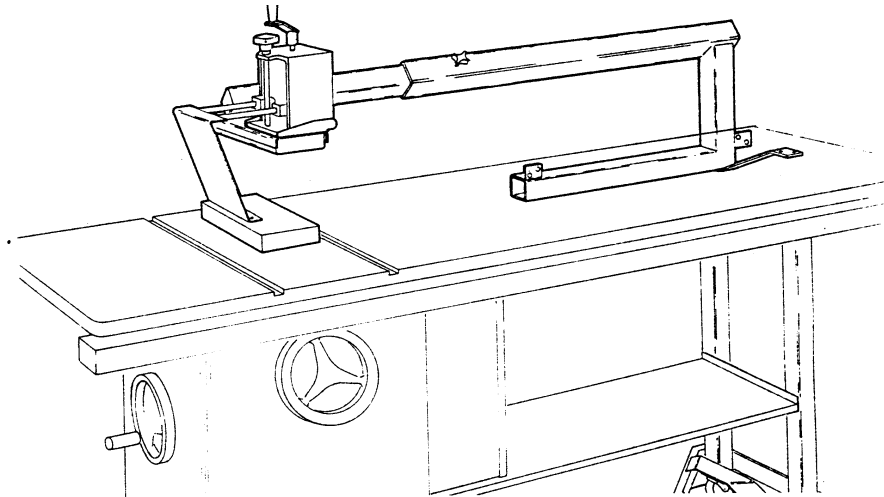


CANTILEVER MOUNT



- 50" Fence** – mounts to rear rail of fence system.
- Biesemeyer
 - Accufence
 - Unifence, XActa and others – requires Mounting Angle #20219 to stiffen the installation.

Floor Mounting – call for custom installations.

Overhead Mounting – call for custom installations.

- 30" Fence** – mounts to rear rail of fence system.
- Biesemeyer
 - Accufence
 - Unifence, XActa and others – requires Mounting Angle #20279 to stiffen the installation.

DESCRIPTION	MODEL NO.	WEIGHT (UPS)	LIST PRICE
10" "Cantilever" Style³			
32" Clear to the right of the blade	10A-M30	23#/48#	499.99
53" Clear to the right of the blade	10A-M50	23#/48#	499.99
Custom Mounting Unit ²	10A-M	25#	343.99
12" "Cantilever" Style³			
32" Clear to the right of the blade	12A-M30	26#/48#	549.99
53" Clear to the right of the blade	12A-M50	26#/48#	549.99
Custom Mounting Unit ²	12A-M	27#	409.99
16" "Cantilever" Style³			
32" Clear to the right of the blade	16A-M30	31#/48#	596.99
53" Clear to the right of the blade	16A-M50	31#/48#	596.99
Custom Mounting Unit ²	16A-M	27#	442.99
Mounting Angles/Brackets/Tube			
For 50" fences except Biesemeyer & Accufence	20219	20#	92.99
For 30" fences except Biesemeyer & Accufence	20279	14#	88.99
Tube Mounting Bracket	20249	5#	47.99

OPTIONS: **Electrical Interlock w/Mode Selector & Stop Button** -
 Only available on cantilever style equipment. Cannot be retrofitted in the field.
 To order add X suffix to model number. (ie: 10A-M30X)
X: \$118.99 (ie: 10A-M30X-\$618.98)

Dust Collection Nozzle (2" Dia.) on shield
 Available on both original equipment, as well as replacement shields.
 To order add P suffix to model number. (ie: #10A-M30P)
P: \$39.99 (ie: 10A-M30P-\$539.98)

² A mounting plate is supplied with the unit for the customer to adapt to with their own mounting apparatus. ie: from ceiling, wall or floor. Several fittings are available to assist in developing such a 'structure'.

³ For use with extension saw fences Designed for use with fences such as Delta Unifence, Biesemeyer T-Square fence and others. Some original equipment fence setups require additional brackets - consult the factory.